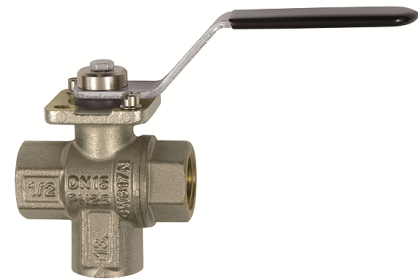
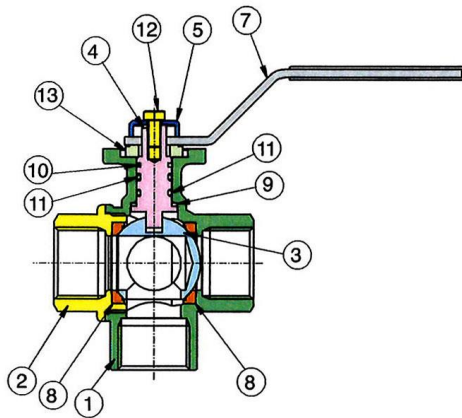


Lower media connection.

3-way ball valve with full throughput, integrated ISO flange plate (ISO 5211) and double-sided sealed ball. Pressurisation is only possible via the lower connection.

Housing	Nickel-plated brass (CW617N)
Thread material	Brass
Ball	Nickel-plated brass (CW617N)
Ball seal	PTFE
Stem seal	PTFE / FKM
Hand lever	Steel with plastic coating
Operating temperature	-15 °C to 120 °C
Standard thread	Rp thread acc. to ISO 7-1

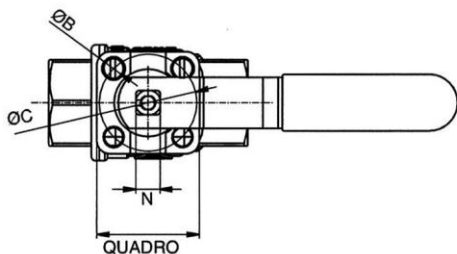
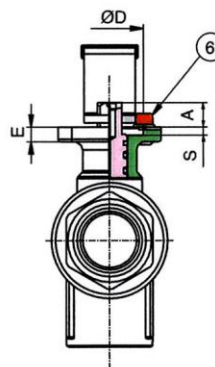
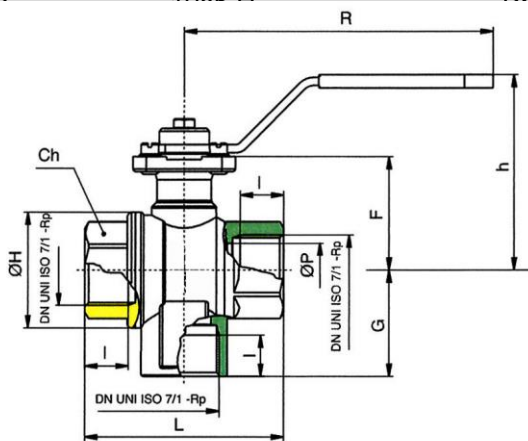


1085 C

POS.	DENOMINAZIONE	PART NAME	DESCRIPTION	TEILBENENNUNG	DENOMINACION	MATERIALE-MATERIALS MATERIAUX-WERKSTOFF- MATERIAL	N°P.
1	CORPO	BODY	CORPS	GEHÄUSE	CUERPO	OTTONE CW617N UNI EN 12165	1
2	MANICOTTO	END CONNECTION	MANCHON	MUFFE	MANGUITO	OTTONE CW617N UNI EN 12165	1
3	SFERA	BALL	BILLE	KUGEL	ESFERA	OTTONE CW617N UNI EN 12165	1
4	ASTA	STEM	TIGE	SPINDEL	EJE	OTTONE CW614N UNI EN 12164	1
5	BUSSOLA	GLAND	BAGUE	BUCHSE	ANILLO	OTTONE CW614N UNI EN 12164	1
6	PERNO	PIN	AXE	ANSCHLAGSTIFT	PERNO	OTTONE CW614N UNI EN 12164	2
7	LEVA	HANDLE	PIOGNÉE	HANDHEBEL	PALANCA	ACCIAIO DD11 UNI EN 10111	1
8	GUARNIZIONE SFERA	BALL SEAT	JOINT DE TENUE BILLE	KUGELDICHTUNG	JUNTA ESFERA	P.T.F.E	2
9	GUARNIZIONE ANTIATRITO	ANTIFRICTION SEAT	JOINT ANTI-FRICTION	STOBHEMMEDE DICH TUNG	JUNTA ANTIFRICCIÓN	P.T.F.E	1
10	GUARNIZIONE ANTIATRITO	ANTIFRICTION SEAT	JOINT ANTI-FRICTION	STOBHEMMEDE DICH TUNG	JUNTA ANTIFRICCIÓN	P.T.F.E	1
11	O-RING	O-RING	O-RING	O-RING	O-RING	FKM	2
12	VITE	SCREW	VIS	SCHRAUBE	TORNILLO	FERRO	1
13	RONDELLA	WASHER	RONDELLE	UNTERLEGSCHIEBE	ARANDELA	PA6	1

3-way ball valve, lower media connection, L-bore

Art. No.	Type No.	Thread
136326	1085 A	Rp 1/4
136327	1085 B	Rp 3/8
136328	1085 C	Rp 1/2
136329	1085 D	Rp 3/4
136330	1085 E	Rp 1
136331	1085 F	Rp 1 1/4
136332	1085 G	Rp 1 1/2
136333	1085 H	Rp 2



MISURA	DN	ØP	l	Ch	ISO 5211					E	F	G	N	QUADRO	ØH	L	h	R	Kv	PN	Kg
					A	ØB	ØC	ØD	S												
1/4"	8	10	11	22	9	M7	36	25	2	5,5	28,5	26	9	38	128	52	60	115	1,5	25	0,34
3/8"	10	10	11,4	22	9	M7	36	25	2	5,5	28,5	26	9	38	28	52	60	115	1,8	25	0,28
1/2"	15	15	15	27	9	M7	36	25	2	5,5	31	33,5	9	38	34,5	64	62	115	3,9	25	0,41
3/4"	20	20	16,3	32	9	M7	36	25	3	5,5	42	39,5	9	38	43	74	43	115	7,9	16	0,60
1"	25	25	19,1	41	9	M7	36	25	3	6	45	47	9	38	53	89	76	115	13	16	0,94
1 1/4"	32	32	21,4	50	9	M7	36	25	3	6	49	54,5	9	38	63	100	79,5	115	20,7	10	1,27
1 1/2"	40	40	21,4	55	11	7	50	35	3	8	61,5	61,5	11	50	77	110	95	170	38,7	10	2,00
2"	50	50	25,7	70	11	7	50	35	3	8	67	73	11	50	93	130	101	170	54	10	3,16

3-way ball valve, lower media connection, T-bore

Art. No.	Type No.	Thread
136334	1086 A	Rp 1/4
136335	1086 B	Rp 3/8
136336	1086 C	Rp 1/2
136337	1086 D	Rp 3/4
136338	1086 E	Rp 1
136339	1086 F	Rp 1 1/4
136340	1086 G	Rp 1 1/2
136341	1086 H	Rp 2

APPLICATION

Assembly in rigid pipe system

Other specifications in the "Technical Specifications" catalogue

Nominal pressure (PN) in bar: see the table

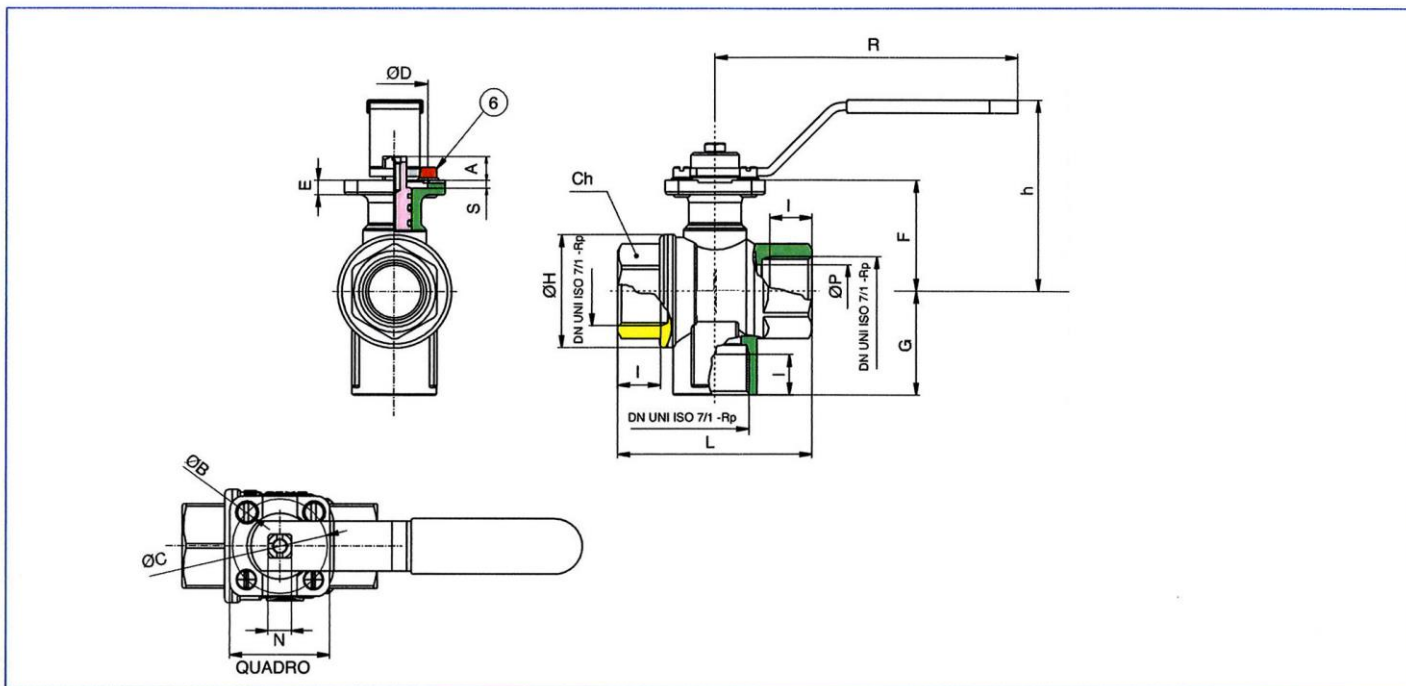
For temperature >80°C see diagram in the "Technical Specifications" catalogue

KV: flow coefficient in m³/h at differential pressure of 100 kPa

Temperature range: -15°C +120°C

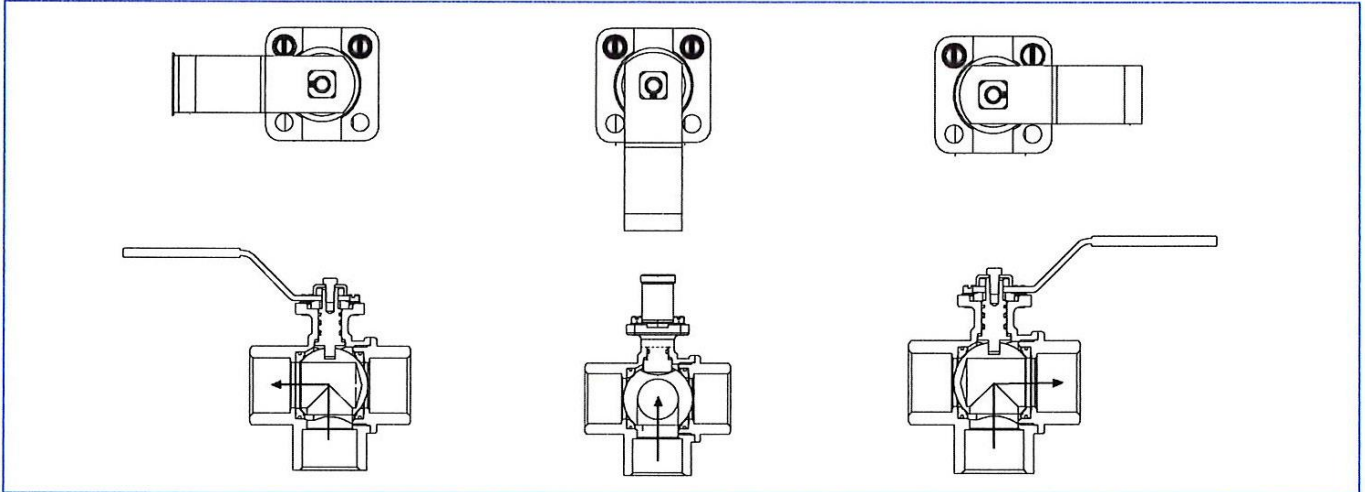
Flow direction: in one direction

We recommend the valve use in fully open or closed, not in mid position, and to manoeuvre the valve at least twice a year.

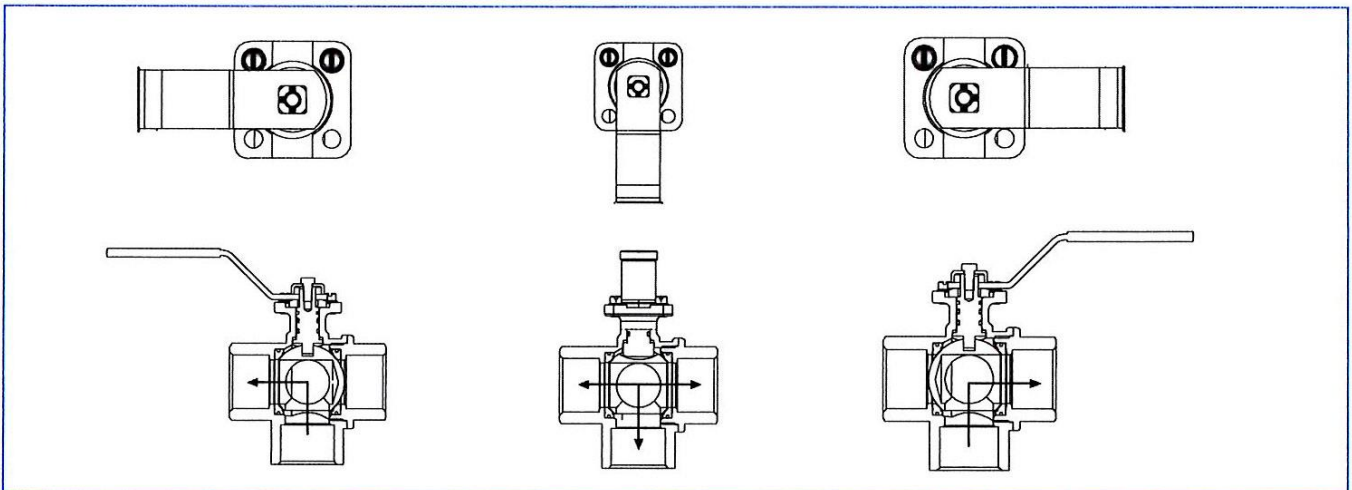


MISURA	DN	ØP	I	Ch	ISO 5211					E	F	G	N	QUADRO	ØH	L	h	R	Kv	PN	Kg
					A	ØB	ØC	ØD	S												
1/4"	8	10	11	22	9	M7	36	25	2	5,5	28,5	26	9	38	128	52	60	115	1,5	25	0,33
3/8"	10	10	11,4	22	9	M7	36	25	2	5,5	28,5	26	9	38	28	52	60	115	1,8	25	0,27
1/2"	15	15	15	27	9	M7	36	25	2	5,5	31	33,5	9	38	34,5	64	62	115	3,9	25	0,39
3/4"	20	20	16,3	32	9	M7	36	25	3	5,5	42	39,5	9	38	43	74	43	115	7,9	16	0,56
1"	25	25	19,1	41	9	M7	36	25	3	6	45	47	9	38	53	89	76	115	13	16	0,88
1 1/4"	32	32	21,4	50	9	M7	36	25	3	6	49	54,5	9	38	63	100	79,5	115	20,7	10	1,15
1 1/2"	40	40	21,4	55	11	7	50	35	3	8	61,5	61,5	11	50	77	110	95	170	38,7	10	1,80
2"	50	50	25,7	70	11	7	50	35	3	8	67	73	11	50	93	130	101	170	54	10	2,65

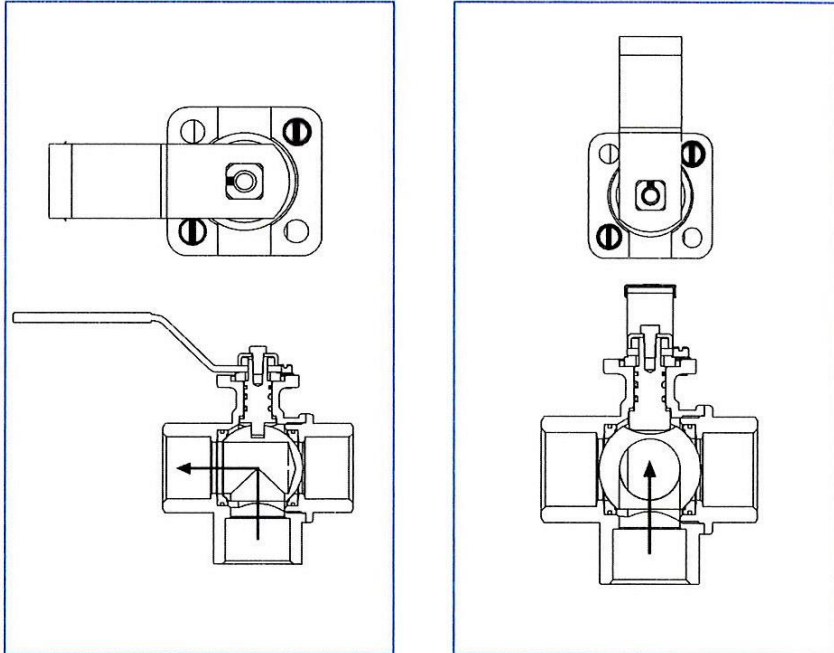
3-way ball valve, lower media connection, L-bore (180°)



3-way ball valve, lower media connection, T-bore (180°)



3-way ball valve, lower media connection, L-bore (90°)



3-way ball valve, lower media connection, T-bore (90°)

